

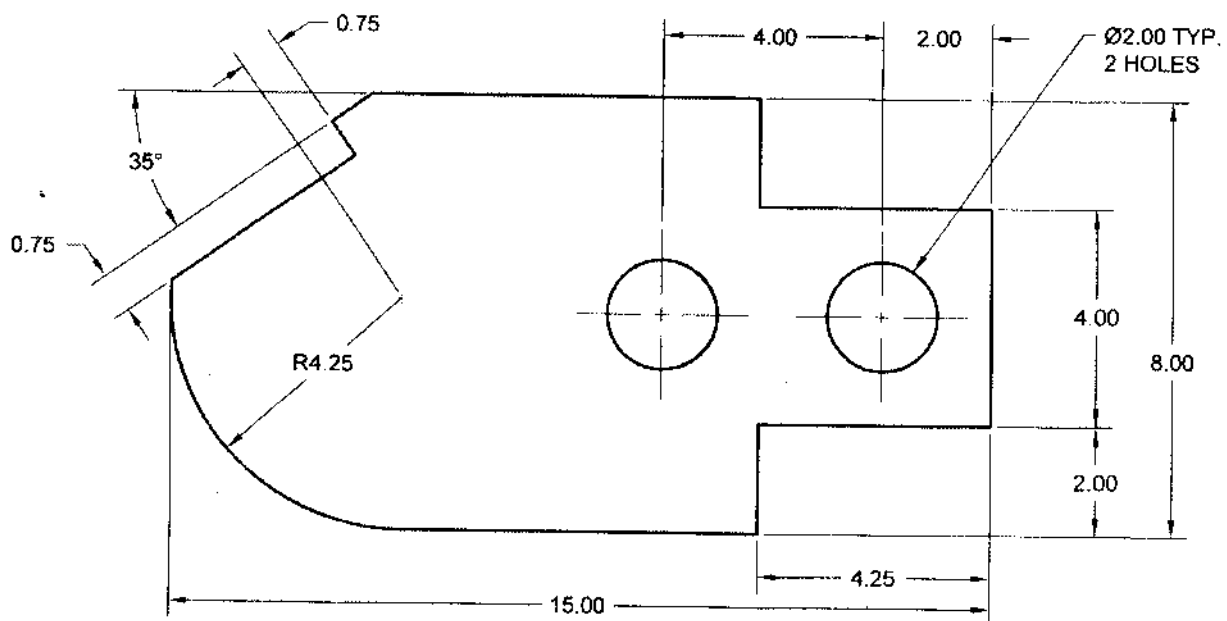
GENERAL INSTRUCTIONS TO CANDIDATES

1. Create a folder named **KNECEXAM** on the desktop.
2. Ensure that the **KNECEXAM** folder and all its content is burnt onto the Rewritable CD provided at the end of the examination.

TASK 1

- (a) Open a CAD program and make changes to the default settings as follows:
- (i) Units in inches
 - (ii) Model limits:

Lower left corner	<0.000, 0.000>
Upper right corner	<270.000, 200.000>
 - (iii) Accuracy: 0.00 (2 marks)
- (b) Insert **two** layers each with the following properties:
- (i) A layer labelled *body* with the line weight set to 0.8 mm on which to draw the geometry;
 - (ii) A layer labelled *dimension* on which to draw all the dimensions. (2 marks)
- (c) (i) Figure 1 shows a metal plate drawn with dimensions in inches. Draw on the layer labelled *body*, the geometry using the dimensions indicated. (10 marks)
- (ii) Fully dimension the geometry as it appears. Place the dimensions on a layer labelled *dimension*. (4½ marks)
- (d) Save the drawing as *metal plate* in the **KNECEXAM** folder to print out later. (1½ marks)



TASK 2

John Kavulu is the owner of Luns Ltd, of P. O. Box 40400-00300, Tatui. The company is involved in entertainment business catering mainly for young people. Record the following financial details and transactions for the business using an appropriate accounting package.

Balances on 1st July 2014

Furniture – Cost	280,000
Depreciation	140,000
Motor vehicle - Cost	352,000
Depreciation	130,000
Computer Equipment-Cost	103,450
Depreciation	34,360
Bank A/C (SMP Bank)	(28,000)
Cash	16,000

Stores ledger balances as at 1st July 2014

<u>Item</u>	<u>Quantity</u>	<u>Cost Price (Ksh)</u>	<u>Selling Price (Ksh)</u>
Single music record	120	35	50
Single movies	65	25	50
Music albums	80	210	350
6-in-1 movies	42	150	250

Sales ledger balances as at 1st July 2014

<u>Customer Name</u>	<u>Amount (Ksh)</u>
Kalumba Entertainers	45,242
Kwasa DJ's	132,400

Purchasers' ledger balances as at 1st July 2014.

<u>Suppliers Name</u>	<u>Amount (Ksh)</u>
Express Records	54,000
Toro Studios	36,000

The following details appeared in the books of the business for the month of July, 2014.

Purchases Journal

July 10	Jaru Movies	10 single movies each Ksh30
July 16	Toro Studios	75 single music records, 25 6-in-1 movies and 30 music albums

Sales Journal

July 6	Kwasa DJ's	41 single music records, 5 single movies and 3 6-in-1 movies
July 22	Machari Dancers	3 single music records and 2 music albums

Returns Inwards Journal

July 24	Machari Dancers	1 single music record and 1 music albums
---------	-----------------	--

Returns Outwards Journal

July 17	Jaru Movies	2 single movies
---------	-------------	-----------------

Cash Book

Receipts

July 10	Cash sales	50 single records, 15 single movies and 4 music albums
July 7	Cheque Kshs.	76,200 from Machari Dancers
July 14	Cheque Kshs.	40,000 from Kwasa DJ's
July 30	Cash sales	40 single movies, 22 single music records, 5 6-in-1 movies

Payments

July 4	Cheque Kshs.	54,000 to Express Studios
July 14	Cash Kshs.	22,000 to Toro Studios
July 22	Kshs.	25,000 cash to Jaru movies
July 30	Salaries Kshs.	60,000 cash
	Electricity Kshs.	3,104 cash
	Telephone Kshs.	4,060 cash

Generate and print the following reports:

- (a) Trial Balance as at 1st July 2014. (6 marks)
- (b) Profit and Loss account for the month. (5 marks)
- (c) Balance Sheet as at 31st July 2014. (6 marks)
- (d) Ageing debtors report as at 31st July 2014. (3 marks)