

2920/202B

COMPUTER APPLICATIONS II

November 2017

Time: 1 hour



THE KENYA NATIONAL EXAMINATIONS COUNCIL

DIPLOMA IN INFORMATION COMMUNICATION TECHNOLOGY

MODULE II

COMPUTER APPLICATIONS II

Practical

1 hour

INSTRUCTIONS TO CANDIDATES.

*You have **ten** minutes to read through the instructions and questions before starting the examination. Any problem with the computer should be reported to the invigilator immediately.*

Direct any question(s) to the invigilator only. Conversing with fellow students may lead to disqualification.

*Write your **name** and **index number** on the rewritable **CD**.*

*Type your **name** as a header on each sheet of paper used.*

*This paper consists of **TWO** tasks. Perform the **TWO** tasks.*

*Each task carries **20** marks.*

Read the instructions of each task carefully.

*Print on **one** side of the paper(s) only and use a fresh sheet of paper for each task.*

*Hand over your **printout** and the **Rewritable CD** to the invigilator at the end of the examination.*

This paper consists of 6 printed pages.

Candidates should check the question paper to ascertain that all the pages are printed as indicated and that no questions are missing.

GENERAL INSTRUCTIONS TO CANDIDATES

1. Create a folder named **KNECEXAM** on the desktop.
2. Ensure that the **KNECEXAM** folder and all its content is burnt onto the Rewritable CD provided at the end of the examination.

TASK 1

(a) Open a CAD program and make the following settings:

- (i) Units: millimetres; (½ mark)
 (ii) Precision: 0 decimal place; (½ mark)
 (iii) Length type: Decimal. (½ mark)

(b) Insert two layers with the following properties: (1 mark)

| Layer name | Line weight |
|------------|-------------|
| Edges | 0.8 mm |
| Dimen | 0.2 mm |

(c) (i) Draw figure 1 as it appears on the layer named *Edges* using the indicated dimensions. (8 marks)

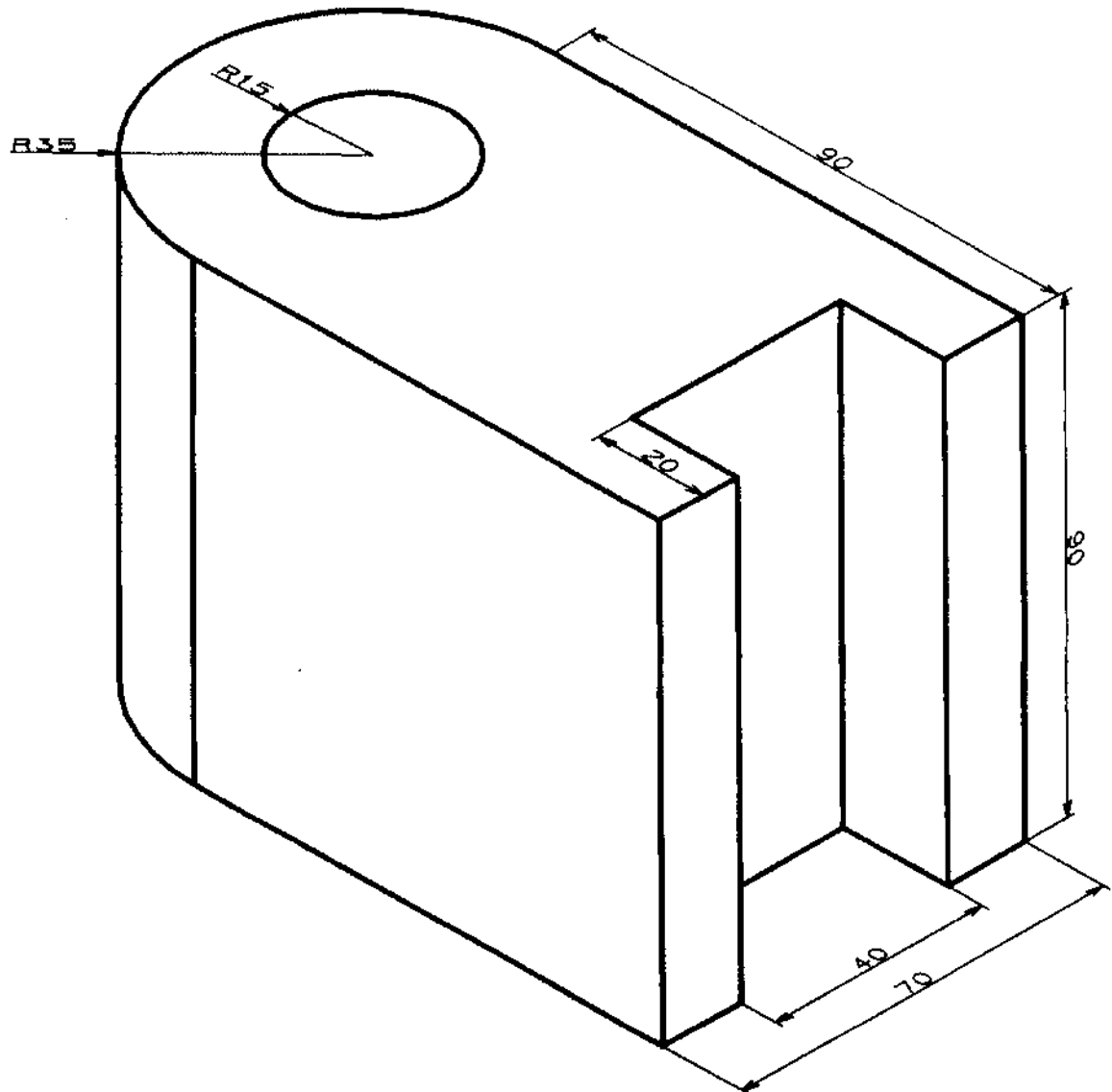


Figure 1

- (ii) (I) Fully dimension the drawing on the layer named *Dimen*. (5½ marks)
- (II) Change the dimension arrow heads as it appears in the drawing. (1 mark)
- (d) Save the drawing as *BLOCK* in the **KNECEXAM** folder. (1 mark)
- (e) Print out later each of the following views of the drawing.
 - (i) The isometric view; (1 mark)
 - (ii) The plan view. (1 mark)

TASK 2

Kigecha Timber Merchant Limited of P. O. Box 6825-00250 Misitu, is a timber merchant. Record the following financial details and transactions for the company using an accounting program for the year starting 1st November, 2016.

Balances as at 1st November 2016

| | Kshs. |
|-------------------------------|--------------|
| Workshop Equipment - cost | 4,100,000 |
| Motor vehicles - cost | 2,350,000 |
| Debtors: Msasa Furniture | 340,000 |
| Kurura Designs | 206,000 |
| Creditors: Migogo Loggers Ltd | 440,000 |
| Kivu Hardwoods | 625,000 |
| Bank (BK Misitu) | 286,520(cr) |
| Cash | 215,480 |

Stock:

| Timber sizes | Feet | Cost per foot | Price per foot |
|---------------------|-------------|----------------------|-----------------------|
| 2X2 | 5000 | 14 | 22 |
| 3X2 | 3000 | 20 | 32 |
| 4X2 | 2000 | 30 | 42 |
| 6X1 | 5000 | 38 | 45 |

The business had the following transactions during the months of November and December 2016.

Cash Sales

| | |
|-------------|---|
| November 10 | 2000 feet 3X2 at a price of Ksh 32 per foot paid cash |
| November 13 | 320 feet 2X2 at a price of Ksh 21 per foot paid by cheque |
| December 2 | 420 feet 6X1 at a price of Ksh 45 per foot paid cash |
| December 27 | 650 feet 4X2 at a price Ksh 44 per foot paid by cheque |

Cash Purchases

| | |
|-------------|---|
| November 14 | 400 feet 2X2 at a cost of Ksh 13 per foot cash |
| | 620 feet 3X2 at a cost of Ksh 20 per foot cash |
| December 6 | 600 feet 4X2 at a cost of Ksh 28 per foot by cheque |
| December 17 | 1000 feet 6X1 at a cost of Ksh 38 per foot, 820 feet 3X2 at a cost of Ksh 19 per foot by cheque |

Credit Purchases

| | |
|-------------|--|
| November 7 | 1500 feet 2X2 from Migogo Loggers Ltd at a cost of Ksh 11 per foot |
| | 1000 feet 3X2 from Kivu Hardwoods at a cost of Ksh 20 per foot |
| December 4 | 6000 feet 2X2 from Migogo Loggers Ltd at a cost of Ksh 13 per foot |
| December 22 | 6000 feet 4X2 at a cost of Ksh 30 per foot from EP Plywoods Ltd |

Invoices issued

| | |
|------------|--|
| November 7 | Msasa Furnitures 4000 feet 2X2 at a price of Ksh 23 per foot |
| | Msasa Furnitures 2000 feet 4X2 at a price of Ksh 44 per foot |
| December 2 | Kurura Designs 4000 feet 6X1 at a price of Ksh 42 per foot |

Expenses paid by cash

| | |
|-------------|------------------------|
| November 7 | Rent of Ksh.82,500 |
| | Wages Ksh.291,620 |
| | Electricity Ksh.48,350 |
| | Lunches Ksh.16,600 |
| December 14 | Rent Ksh. 42,400 |
| | Transport Ksh98,600 |
| | Wages Ksh 420,800 |

Other transactions

November 6 Bought timber treatment chemicals worth Ksh 120,000 paid by cheque.

Payments made or Received

November 10 Paid Migogo loggers ltd Ksh.440,000 by cheque.

December 4 Paid Kivu Hardwoods Ksh 30,000 by cash.

December 28 Received cheque of Ksh 400,000 from Msasa Furniture.

December 30 Kurura Designs paid their debt in full by cash.

Generate and print the following reports:

- (a) The Balance Sheet as at 1st November 2016. (6 marks)
- (b) The Profit & Loss A/c for the 2 months. (6 marks)
- (c) The Trial Balance as at 31st December 2016. (8 marks)

THIS IS THE LAST PRINTED PAGE.