

2920/202B  
COMPUTER APPLICATIONS II  
(PRACTICAL)  
PAPER 2  
November 2021  
Time: 1 hours



THE KENYA NATIONAL EXAMINATIONS COUNCIL

DIPLOMA IN INFORMATION COMMUNICATION TECHNOLOGY

MODULE II

COMPUTER APPLICATIONS II (PRACTICAL)

Paper 2

Practical

1 hour

**INSTRUCTIONS TO CANDIDATES.**

*You have ten minutes to read through the instructions and questions before starting the examination. Any problem with the computer should be reported to the invigilator immediately.*

*Direct any question(s) to the invigilator only. Conversing with fellow students may lead to disqualification.*

*Write your name and index number on the rewritable CD.*

*Type your name as a header on each sheet of paper used.*

*This paper consists of TWO tasks. Perform the TWO tasks.*

*Each task carries 20 marks.*

*Read the instructions of each task carefully.*

*Print on one side of the paper(s) only and use a fresh sheet of paper for each task.*

*Hand over your printout and the Rewritable CD to the invigilator at the end of the examination.*

**This paper consists of 6 printed pages.**

**Candidates should check the question paper to ascertain that all the pages are printed as indicated and that no questions are missing.**

## GENERAL INSTRUCTIONS TO CANDIDATES

1. Create a folder named **KNECEXAM** on the desktop.
2. Ensure that the **KNECEXAM** folder and all its content is burnt onto the Rewritable CD provided at the end of the examination.

easytvvet.com

### TASK 1

(a) Open a CAD program and make the following as drawing settings:

(i) Units: millimetres;

(½ mark)

(ii) Precision: 0 decimal place;

(½ mark)

(b) Insert two layers each with the following properties:

(1 mark)

Layer name	Line weight
Edges	0.8 mm
Dimension	0.2 mm

(c) (i) Figure 1 shows a mechanical metal plate. Draw the figure as it appears on the *Edges* layer using the dimensions indicated.

(11 marks)

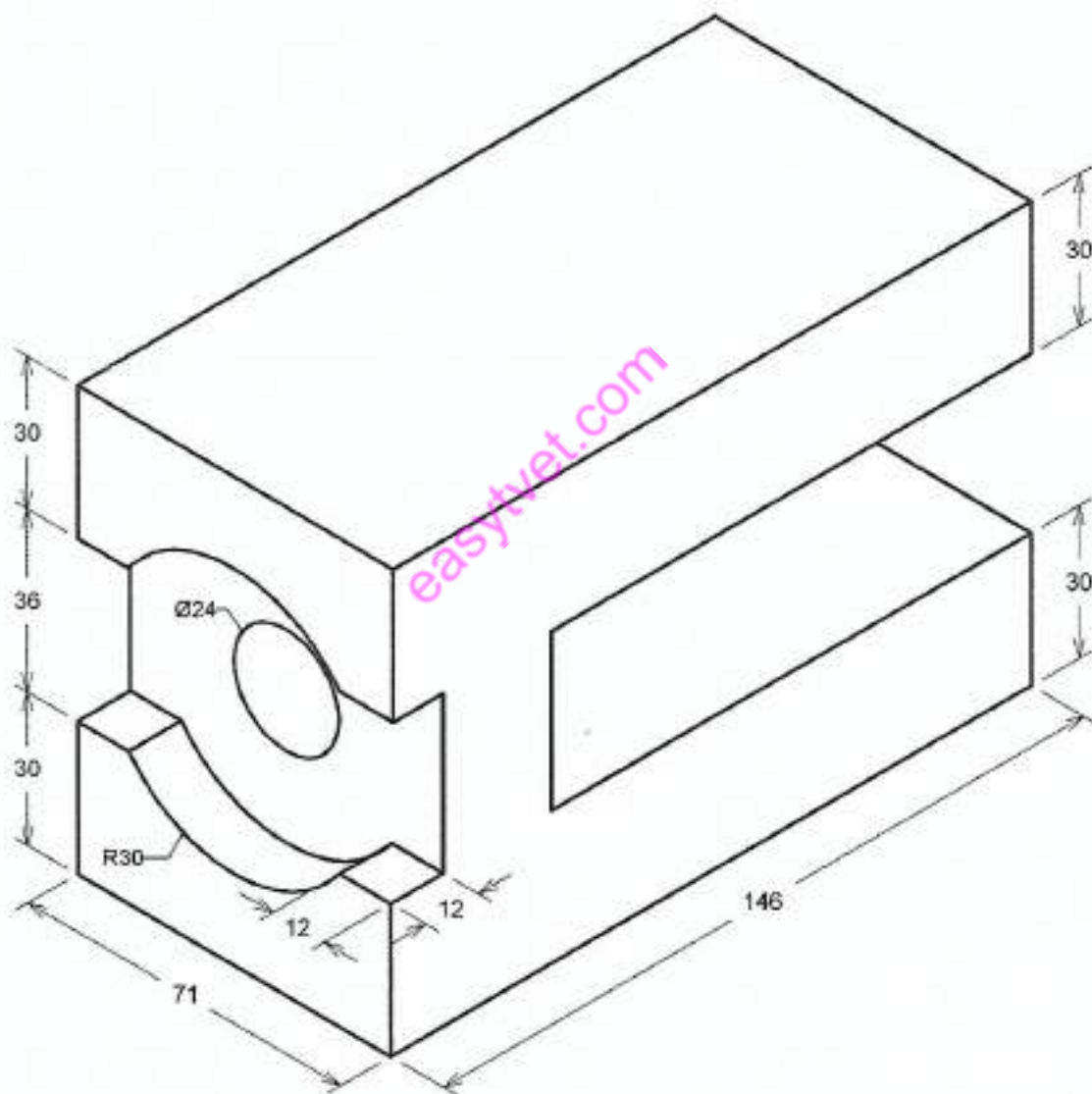


Figure 1

(ii) Fully dimension the drawing on the *dimension* layer.

(5 marks)

(d) Save the drawing as *mechanical plate* in the **KNECEXAM** folder. (1 mark)

(e) Print out later the drawing. (1 mark)

easytvvet.com

**TASK 2**

Technical Systems Ltd of P.O. Box 30780-00200, Nairobi, provides telecommunication services to diverse clients in Kenya. Record the following financial details and transactions of the company for the year starting 1<sup>st</sup> July 2020 using an accounting program.

<b>Balances as at 1<sup>st</sup> July 2020</b>	<b>Ksh</b>
Premises	42,502,000
Telecommunication equipment	800,206,000
Motor vehicles	76,200,000
Fixtures	100,116,000
Bank (GTI Bank)	-502,300,000
Cash	81,000,500
Creditors: Huwezi Technologies Ltd.	121,900,000
Microwave & Frequencies Ltd.	52,800,000
Debtors: Fibre Technologies Ltd.	7,110,000
Kweli Telecom Ltd.	3,052,200

The following transactions took place during the month of July 2020.

- July 1 Bought telecommunication equipment worth Ksh. 350,000,000 from Huwezi Technologies Ltd on credit.
- July 4 Paid salary advances Ksh. 2,185,000 by cash.
- July 8 Provided data services to Kawi Estates Ltd. worth Ksh 4,084,000 on credit.
- July 9 Telecom Technics Ltd provided telecommunication equipment maintenance services on credit worth Ksh 4,020, 000.
- July 14 Invoiced Dibi Financial services Ltd for voice calls service Ksh 3,900,000.
- July 21 Cash sales for the month:
  - Voice calls services Ksh 80,900,000
  - SMS services Ksh 20,300,000
  - Data Services Ksh 45,250,000
- July 21 Expenses paid by cash:
  - Salaries Ksh 48,500,000
  - Telephone Ksh 8,400,000
  - Telecom Equipment maintenance Ksh 20,240,000
- July 24 Received cheque of Ksh 6,000,000 from Fibre Technologies Ltd.
- July 25 Invoiced Kweli Telecom Ltd Ksh 3,000,000 for voice calls.
- July 26 Received invoice from Microwave & Frequencies Ltd Ksh 20,600,000 for telecom receivers.
- July 28 Acquired three 5G transmitters from Huwezi Technologies Ltd each worth Ksh 265,000,000 on credit.
- July 29 Paid Huwezi Technologies Ltd. Ksh. 94,800,000 and Microwave & Frequencies Ltd Ksh52,800,000 by cheque.
- July 31 Expenses paid by cheque:
  - Rent for Premises Ksh 6,405,800
  - Power and fuel Ksh 4,302,000

Generate and print each of the following reports:

- (a) Opening Balance sheet; (6 marks)
- (b) Cash flow statement for July 2020; (6 marks)
- (c) Trial balance as at 31<sup>st</sup> July 2020. (8 marks)

**THIS IS THE LAST PRINTED PAGE.**

*easytvvet.com*